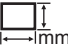

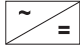


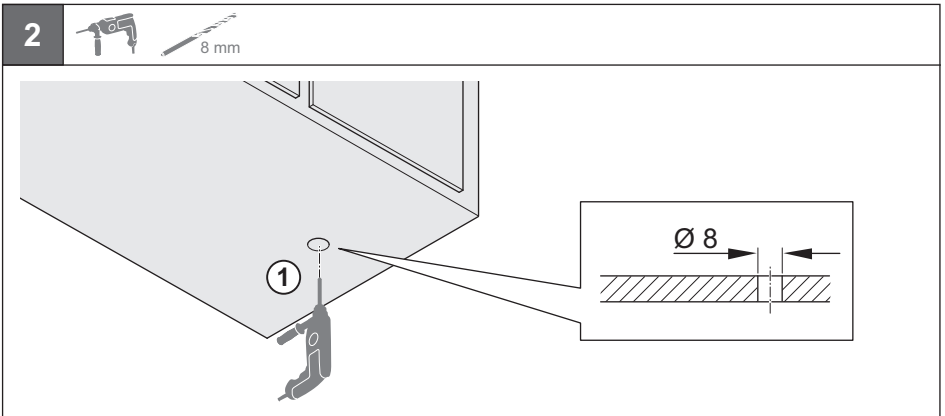
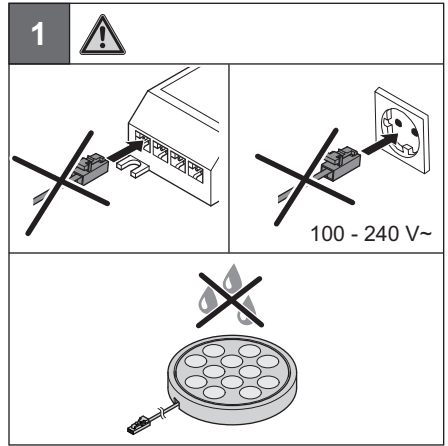
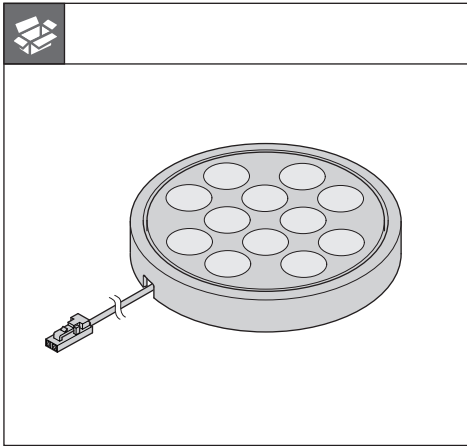


**LED 3004**  
**LED 3005**

**833.76.020**  
**833.76.021**

| 24 V System | K      | W     | T <sub>A</sub>                    |  mm |  mm |  |
|-------------|--------|-------|-----------------------------------|--|--|--|
| 833.76.020  | 3200 K | 0.8 W | -20 °C – +35 °C<br>-4 °F – +95 °F | Ø 58 x 8.5   | Ø 68 x 9.5   | 833.77.900   |
| 833.76.021  |        |       |                                   | Ø 70 x 9.0   | Ø 80 x 10.0  | 833.77.901   |

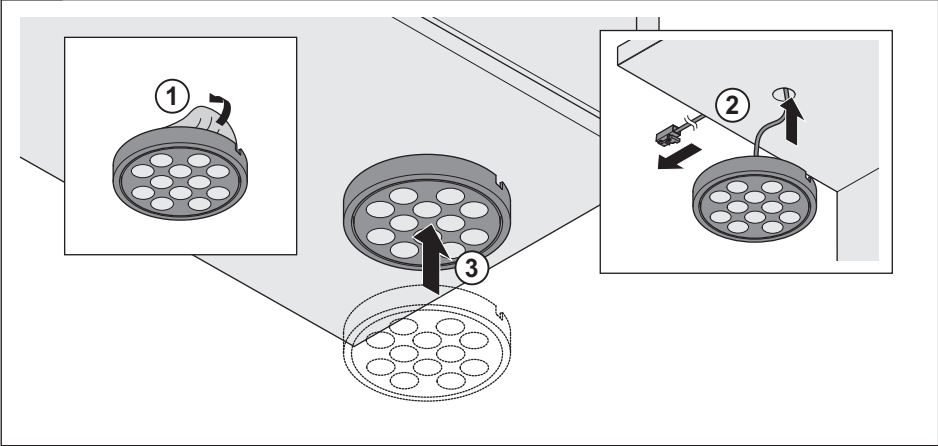
Maße in mm – Dimensions in mm – Medidas en mm



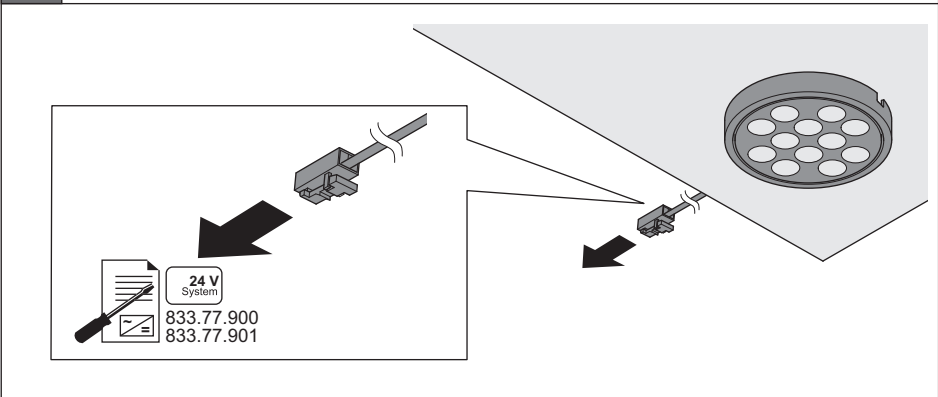
HDE 14/12/2010

732.28.234

3



4



Maße in mm – Dimensions en mm – Dimensions en mm – Medidas en mm

HDE 14/12/2010

732.28.234